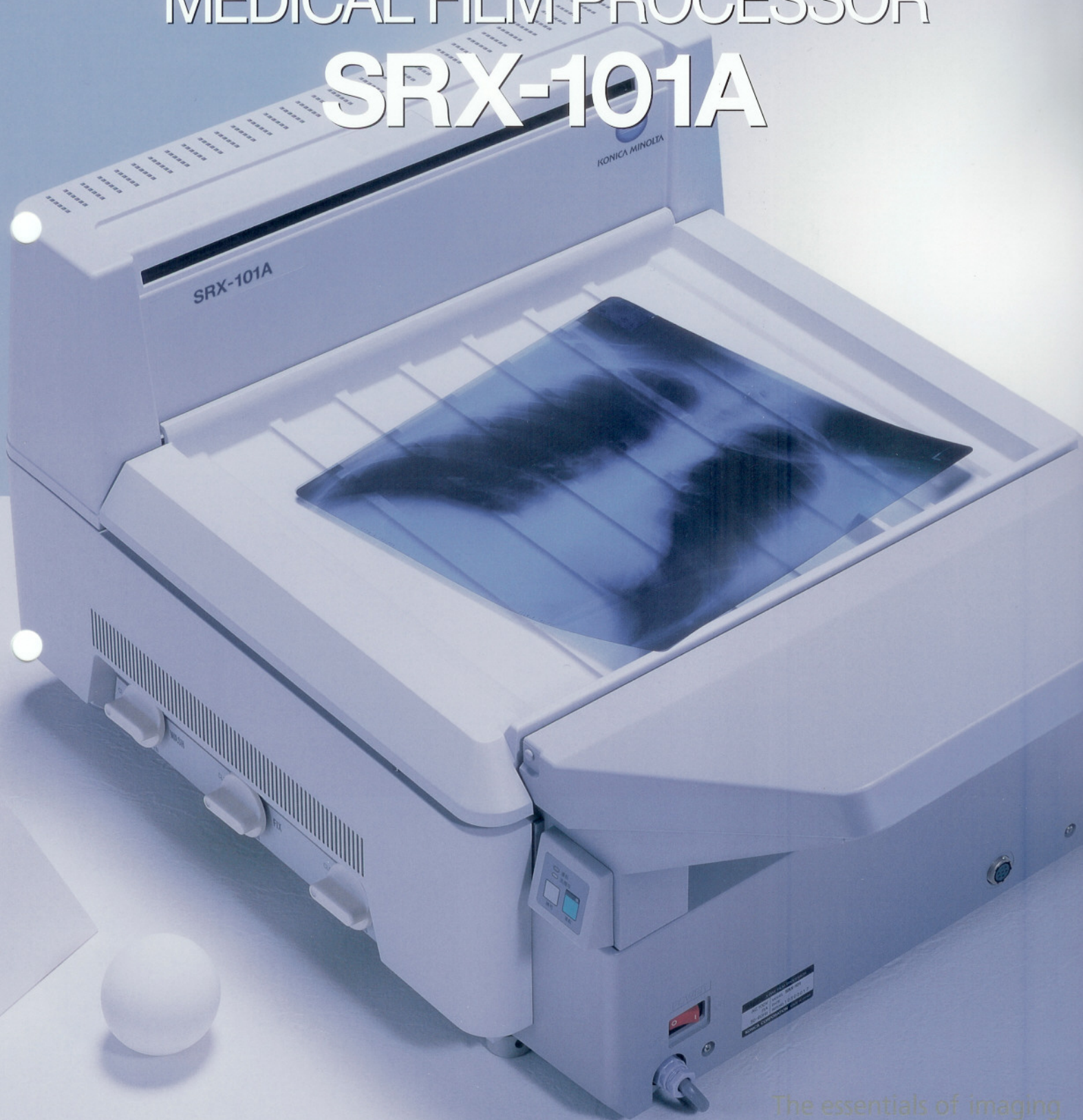


KONICA MINOLTA

# MEDICAL FILM PROCESSOR **SRX-101A**



The essentials of imaging

# THE COMPACT

Compact, Multi-Function Medical Film Processor for Fa

The Konica Minolta SRX-101A is a tabletop medical film processor that delivers high quality images in just 90 seconds edge to edge. Although compact in size, the SRX-101A is equipped with a range of convenient features including energy-saving stand-by mode, automated chemical supply and replenishment, and auto shut-down, clean and simple operation.



SRX-101A with optional stand.



#### Space-saving Tabletop Design

The SRX-101A occupies just 0.549m<sup>2</sup> of surface space. The control panel can be installed on either the right or the left side of the unit offering maximum flexibility. A custom stand is available, and a light-shielding panel allows for the unit to be installed in a separating wall between a darkroom and a lighted room.

#### Compact Unit, High Performance

Processing time, edge to edge is just 90 seconds, and as many as 75 sheets of 24×30cm or 10×12inch film may be processed per hour. The SRX-101A accepts sheet film sizes ranging from 10 ×10cm to 35×43cm. Processing speed can be set for 90, 120 or 180 seconds.

# PROCESSOR

Simple Output of High Resolution Images



## Quiet Operation

The SRX-101A is designed to run quietly. Efficient film drying technology and a high performance drying fan reduce operating noise to a minimum.

## Consistently High Quality Images

An automated, precision replenishment system similar to that used in large, stand-alone processors assures that the SRX-101A consistently delivers high quality images. Processing tanks are designed to prevent oxidation of solutions for long-term, stable operation.

## Easy Maintenance, Built-in Safety Features

Film transport racks and evaporation barrier are modularized for easy removal and daily washing. Also solution tank corners are rounded to simplify washing. Safety features include an overheating shut-off switch and a non-fuse breaker. The SRX-101A has been approved under TÜV, UL and CSA safety standards.

## For Maximum Convenience

### ■ Automated Chemical Supply

Developer and fixer solutions are automatically pumped into the SRX-101A from the replenisher tanks. Replacement of chemicals is clean, fast and simple.

### ■ Automatic Replenishment

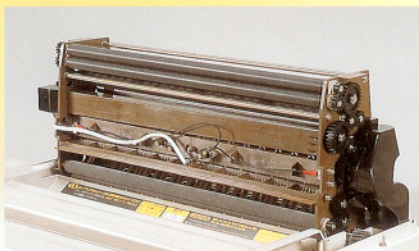
Developer and fixer solutions are automatically replenished when film is inserted into the SRX-101A for processing.

### ■ Stand-by Mode

Stand-by timer can be set for 10 minutes, 30 minutes or turned off. When set for 30 minutes, the SRX-101A will go into a stand-by mode (heater off) for an interval of 30 minutes if film has not been inserted for more than 5 minutes. After 30 minutes, the unit will return to the ready mode for 5 minutes and go back to stand-by. This cycle saves energy and yet assures that the unit is ready to operate on short notice even low volume usage.

### ■ Auto Shut-down

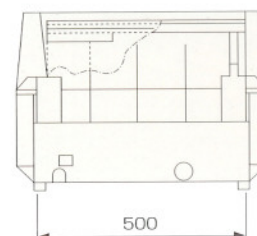
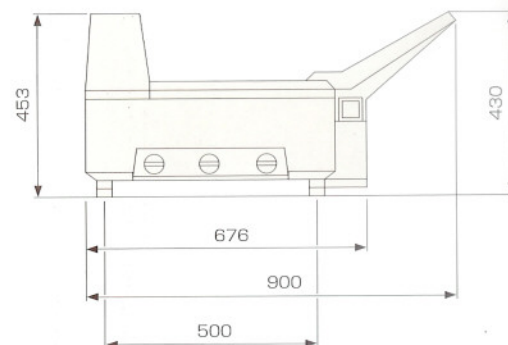
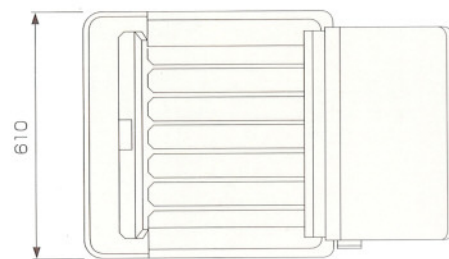
If film has not been inserted for a period of 8 hours, the SRX-101A automatically shuts off.



# MEDICAL FILM PROCESSOR SRX-101A

## SPECIFICATIONS

Model Name	SRX-101A		
Film Transport Method	Continuous roller transport		
Film Type and Sizes	Sheet film, 10×10cm~35×43cm sizes		
Processing Capacity	Cycle \ Size	10×12inch or 24×30cm	14×17inch(35×43cm)
	90 sec.	75	60
	120 sec.	70	55
	180 sec.	55	40 (sheets/hr)
Process Cycle Switching	Available by a service engineer		
Processing Solution Volumes	DEV tank	: 3.9 liters(1.03 gallons)	
	FIX tank	: 1.8 liters(0.47 gallons)	
	WASH tank	: 1.4 liters(0.37 gallons)	
Temperature Control	Processing solution temperature :		
	Controlled by the temperature control tank, with the thermistor monitoring, and with the heater heating.		
Drying temperature:	Controlled automatically according to a fixed temperature setting.		
	Replenishing System		
Replenishing System	Replenishing volume for the film sheet is calculated exchanging with 10×12inch film or 24×30cm.		
Circulation System	Continuous pumping of developer and fixer solutions		
Wash Water	Ordinary tap water 5~30°C(41~86°F)		
Water Supply	Water pressure 49~686kPa(0.5~7kgf/cm <sup>2</sup> )(7~98psi)		
Power Source	AC 115/120V, 12A, 60Hz, single phase, AC 220/230/240V, 6A, 50Hz, single phase		
Dimensions (W×D×H)	610×680(900incl.feed tray)×453mm 24.0×26.8(35.4incl.feed tray)×17.8inch		
Weight	40kg(47kg with processing solutions) 88lb(104lb with processing solutions)		
Certification	Conforms to UL, FDA, TÜV		
Applied Standard	FCC, CE		
Heat Generation	Approx. 3135kJ/hr max.		
Noise Level	Approx. 55dB(A) max.		
Operating Condition	15~30°C(59~86°F), 20~80%RH(no condensation)		
Electromagnetic Compatibility	Compliance with EN60601-1-2.		
Accessories	Measuring cup, Funnel, Installation parts kit, Replacement parts kit, Replenisher tanks, and Operation manual.		
Optional Equipment	Light shield panel, Stand, Splash guard, DEV Temp. Control Kit (CE/TÜV version)		



(UNIT : mm)

\*The above specifications are subject to change without prior notice.

Medical film processor SRX-101A is produced in factories that have been certified to be in compliance with the EN ISO9001:2000, EN ISO13485:2000 quality control standards, as well as with the medical device directive FDA Premarket Notification 510(k) and GMP.



KONICA MINOLTA

**KONICA MINOLTA MEDICAL & GRAPHIC, INC.**

Shinjuku Nomura Building No.26-2, Nishishinjuku 1-chome, Shinjuku-ku, Tokyo 163-0512, Japan.

Distributed by :

KONICA MINOLTA 醫用製品 韓國總代理店  
**M 韓榮貿易株式會社**  
 135-962 서울·江南區 浦二洞 194 (韓榮B/D)  
 TEL : (02) 571-1122  
 FAX : (02) 571-1121  
[www.hanyoungt.com](http://www.hanyoungt.com)