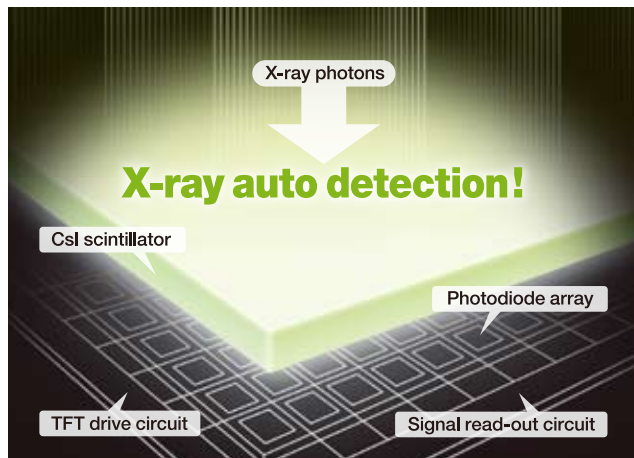


**AeroSync®**, a new X-ray exposure synchronization technology, requires no cable connections to the x-ray generator. Image capture automatically begins when the AeroDR senses the X-ray exposure. This technology is available in Konica Minolta's wireless cassette DR system, AeroDR®.

### The AeroSync technology

The AeroSync technology is equipped with an X-ray auto detect mode in which the panel automatically detects X-ray exposure. The AeroSync enabled panel automatically senses an X-ray exposure, automatically forms an image, and transitions to the X-ray storage process, communication with the X-ray generator is no longer necessary. This means that using AeroSync, even analog portable X-ray systems not fitted with digital radiography, or "DR" interfaces can be easily upgraded into digital systems.



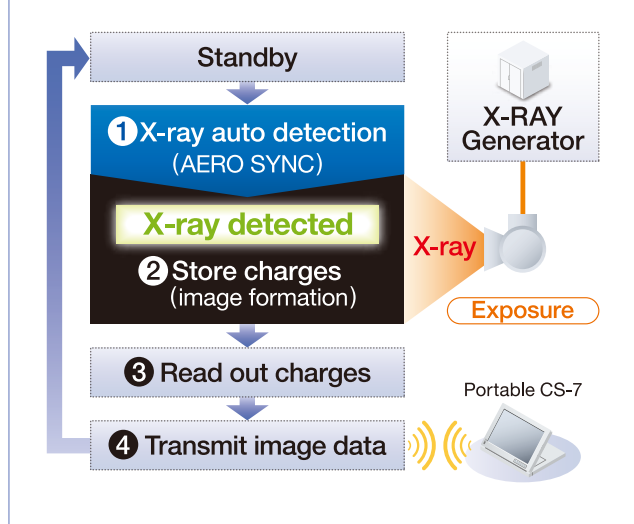
### No Physical Generator Connections

Due to AeroDR's wireless communication and AeroSync technologies, the AeroDR portable upgrade system (panel, console and wireless access point) can connect to almost any portable system and is easily shared between multiple units.

#### ● AeroDR Universal Solution



#### ● Cassette DR



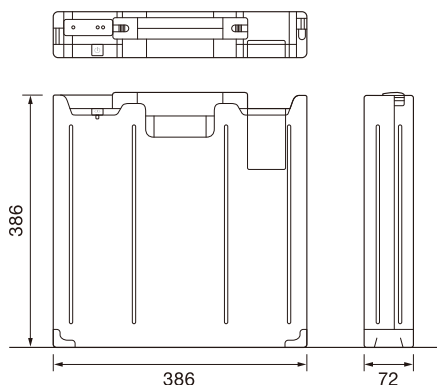
## WIRELESS DIGITAL RADIOGRAPHY SYSTEM AeroDR

Detection method	Indirect conversion method
Scintillator	CsI (Cesium Iodide)
Dimensions (W x D x H)	383.7 x 460.2 x 15.9 mm
Weight	2.9 kg
Pixel size	175µm
Image area size	348.95x425.25mm (1,994 x 2,430 pixels)
AD conversion	16 bit (65,536 gradients)
Communication	Dedicated wired ethernet connection / Wireless LAN (IEEE802.11a compliant)
WLAN encryption	Wireless encryption method : AES / Authentication method : WPA2-PSK
Dynamic range	4 digits
Battery charging time empty to full	Within 30 minutes (when using the AeroDR battery charger) Within 60 minutes (when using the dedicated wired cable)
Battery duration in standby status	Approx. 16 hours
Number of images (using AeroSync mode)	43 images / 3.6 hours * Under conditions that the interval between studies is five minutes and X-ray detection mode is one minute.
Battery expected life time	Above the AeroDR detector product life time

## AeroDR Portable UF Unit

Power requirements	AC 100/110/115/120/200/220/230/240 VAC ±10%, single phase, 50/60 Hz	
Power consumption	Approx. 60 VA (at 100 to 200 VAC) during charging	
External dimensions	386(W) x 72(D) x 386(H) mm	
Weight	5.0 kg (Including one AeroDR portable unit battery)	
Battery operating time	Approx. 11 hours	
Battery charger specifications	Product name	Battery Charger (Product number : A4RN791100A)
	Dimensions	140x62x35 mm (excluding cables)
	Weight	300 g
	Safety standards	UL1310, EN60355
	INPUT	AC 100 to 240 V 1.8 A (MAX.) 50 / 60 Hz
OUTPUT	25.2 V 2.0 A	

### Outer Dimensions



- The described performance may change depending on the environment and frequency of use. (This is not a guarantee of performance.)
- The performance of battery is all performance after fully charged.
- Specifications are subject to change without prior notice.



KONICA MINOLTA

**KONICA MINOLTA MEDICAL & GRAPHIC, INC.**

1 Sakura-machi, Hino-shi, Tokyo, 191-8511, Japan

Distributed by :